

we also create waves...



 **TU3-series
Radio Modules**

MINIATURE UHF RADIO MODULES FOR WIRELESS DATA AND TELEMETRY

GENERAL

The **TU3** UHF Radio Modules are intended for short and medium range wireless data and telemetry applications, in- and outdoors. As the transmitter and the receiver are enclosed in separate metal housings, they are optimal for both two- and one-way wireless links.

The modules can be used separately, or, for a complete transceiver, together as a matching pair. Data speeds up to 9600 bits/s are attainable even with simple FSK modulation. All interfacing is through pins on the bottom of the case.

SHORT FORM SPECIFICATIONS

Frequency coverage: 400 to 470 MHz, in 5 MHz subbands
 Number of channels: 1
 Channel separation: 12.5, 20 or 25 kHz
 Temperature range: -20 to +55 deg.C standard
 Supply voltage: 7.2 V nominal (from 6 to 8 V)
 Physical dimensions: Width: 36 mm; Height: 12.5 mm; Length: 51 mm, including tabs at both ends
 Connection in and out: by means of pins at the bottom, pitch: 2.54, diam.: 0.5, length: 3 mm either for direct soldering to a PCB or plugging into PCB sockets
 Compliant to: pr1-ETS300220; CEPT 20-04; MPT1329
 Several versions available depending on the severity of type approval specifications.

TUT3 TRANSMITTER

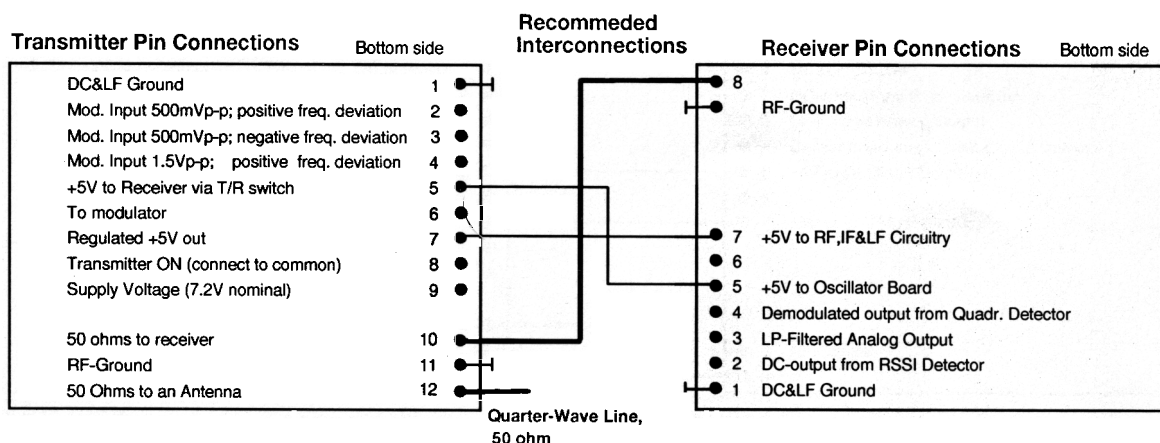
Output Power: 400 mW
 (optionally 50 mW, 4mW)
 Modul.input: 1 Vp-p to ampl./limiter
 2 Vp-p to modulator

Supply current: depends on output power

TUR3 RECEIVER

Sensitivity: Better than -112 dBm to 20 dB SINAD with 0,3...3,4 kHz band-pass filter
 Analog outputs: appr.1.1 Vp-p to 100 kohm at +/-2.5 kHz deviation, DC-offset+2.2V (25 kHz channel sep.)
 RSSI-output: +0.4 V to +4 V to >1Mohm
 Supply current: 25 mA at 5 V *

* For transceiver applications the regulated (+5V) to the receiver is supplied by the transmitter via the T/R switch.



Produced by:

Your supplier:

ULTRACOM OY
 Address: P.O.Box 20, 90441 Kempele, FINLAND
 Street Address: Tarjusojantie 11, Kempele
 Telephone: INT+ 358 8 520 8686
 Telefax: INT+ 358 8 520 8717

